



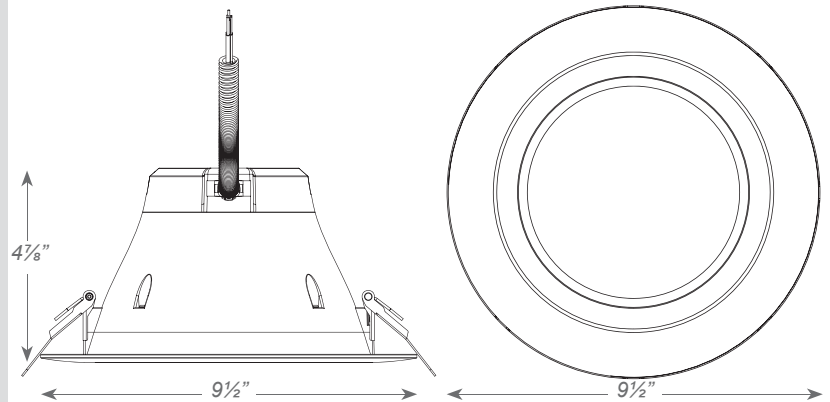
8" Architectural Trim

APPLICATIONS

8" Architectural recessed down light retrofit solution with integrated LED power supply and thermal management system combined in a single compact unit designed to fit most standard 8" recessed cans. Applicable to remodel and new construction applications.

FEATURES

- Long-life LEDs with up to 50,000 hours at 70% lumen maintenance.
- Utilizes 1.18W high power, high quality LEDs.
- Compatible with most 8" housings in insulated, non-insulated and air-tight ceilings.
- Durable thermoplastic construction.
- Built-in, high-efficiency LED Driver.
- Saves 75% over incandescent lamps.
- ETL Listed for wet locations (-20°C - 40°C; -4°F - 104°F).
- Energy Star qualified.
- 5 year warranty on all electronics and housing.



COMPATIBLE DIMMERS	MODEL NUMBERS
Sylvania	45167
Leviton Decora	IP710-LFZ
Leviton Diva	DVSTV-WH
Cooper	DF10P-C1

MODEL	WATTS	COLOR TEMPERATURE	LUMENS	INPUT VOLTAGE
T1-LED8A-BWHL-35K	-27W 27 WATTS	-35K 3500k	2000	120V-277V (50-60Hz)
T1-LED8A-BWHL-5K	-27W 27 WATTS	-5K 5000k	2000	120V-277V (50-60Hz)

PROJECT	TYPE	CATALOG #