



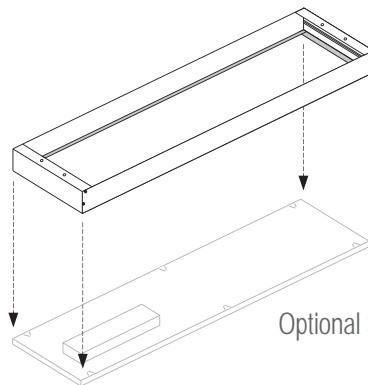
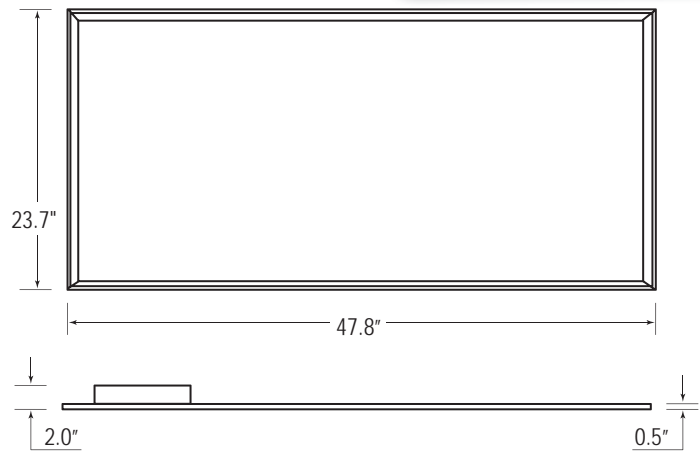
2x4 Ultra-Thin Edge-Lit LED Panel

APPLICATIONS

Ultra-thin, edge-lit LED panel designed to deliver general ambient lighting in a variety of indoor settings, including schools, offices, hospitals and retail stores. Perfect choice for new construction and retrofits. This high-efficiency luminaire provides long-life and uniform illumination, as well as standard 0-10 vdc dimming capability.

FEATURES

- 56,000 hours of long-life, LED operation.
- 0-10vdc dimming capability standard.
- Sturdy aluminum housing with acrylic lens.
- DLC approved.
- ETL listed to applicable UL standards for damp locations and insulated ceilings (IC-rated).
- Easy new construction and retrofit installation.
- 5 year warranty



Optional Surface Mounting Kit



MODEL	DESCRIPTION	WATT	LUMENS	COLOR TEMP
EFS-LEDPNL2X4-50W-4K	2x4' Ultra-Thin Edge-Lit LED Panel	50	4652	4000
EFS-LEDPNL2X4-50W-5K	2x4' Ultra-Thin Edge-Lit LED Panel	50	5062	5000K
EFS-LEDPNL2X4-70W-4K	2x4' Ultra-Thin Edge-Lit LED Panel	70	6645	4000K
EFS-LEDPNL2X4-70W-5K	2x4' Ultra-Thin Edge-Lit LED Panel	70	7325	5000

PROJECT	TYPE	CATALOG #



2x4 Ultra-Thin Edge-Lit LED Panel

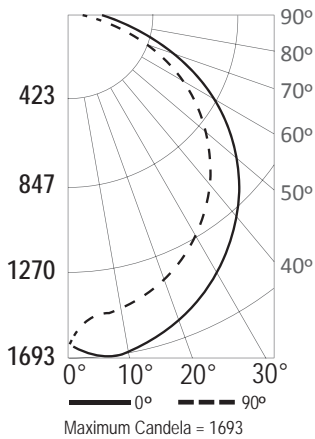
MODEL	COLOR TEMPERATURE	CRI ¹	LUMINAIRE LUMENS	LUMINAIRE WATTS	LUMENS PER WATT	INPUT VOLTAGE	INPUT CURRENT			POWER FACTOR	THD ²	L ₇₀ HOURS ³
							120V	240V	277V			
EFS-LEDPNL2X4-50W-4K	4000K	> 80	4652	47	99	120-277 (50-60HZ)	0.39	0.20	0.17	> 90%	< 20%	63,000
EFS-LEDPNL2X4-50W-5K	5000K	> 80	5062	47	108	120-277 (50-60HZ)	0.39	0.20	0.17	> 90%	< 20%	63,000
EFS-LEDPNL2X4-70W-4K	4000K	> 80	6645	68	98	120-277 (50-60HZ)	0.57	0.28	0.25	> 90%	< 20%	63,000
EFS-LEDPNL2X4-70W-5K	5000K	> 80	7325	68	108	120-277 (50-60HZ)	0.57	0.28	0.25	> 90%	< 20%	63,000

¹ Color rendering index

² Total harmonic distortion

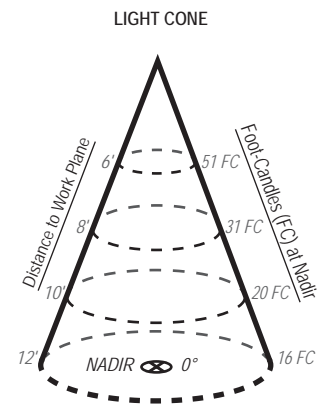
³ L₇₀ refers to the number of operations hours at which lumen output declines to 70% of the initial level. L₇₀ hours are IES TM-21-11 calculated hours.

Model: EFS-LEDPNL2X4-50W-4K (4652 Lumens)

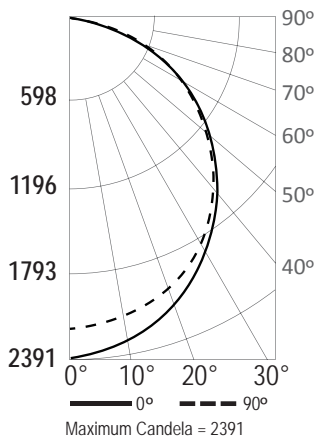


CANDLEPOWER SUMMARY		
	0°	90°
0°	1621	1621
10°	1633	1489
20°	1516	1389
30°	1341	1239
40°	1127	1042
50°	879	815
60°	612	570
70°	340	305
80°	98	76
90°	0	0

ZONAL LUMEN SUMMARY		
ZONE	LUMENS	% FIXTURE
0° - 10°	39	0.8%
0° - 20°	346	7.4%
0° - 30°	918	19.7%
0° - 40°	1677	36.0%
0° - 50°	2517	54.1%
0° - 60°	3327	71.5%
0° - 70°	3999	86.0%
0° - 80°	4451	95.7%
0° - 90°	4652	100.0%
90° - 180°	0	0.0%
0° - 180°	4652	100.0%

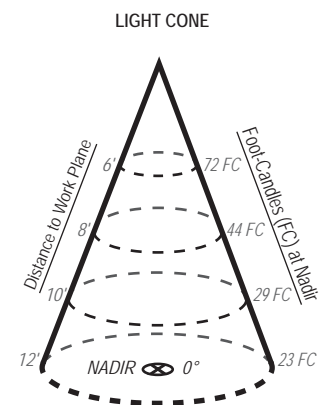


Model: EFS-LEDPNL2X4-70W-4K (6645 Lumens)



CANDLEPOWER SUMMARY		
	0°	90°
0°	2384	2180
10°	2304	2140
20°	2138	2019
30°	1891	1824
40°	1585	1561
50°	1227	1229
60°	843	869
70°	447	482
80°	107	138
90°	0	0

ZONAL LUMEN SUMMARY		
ZONE	LUMENS	% FIXTURE
0° - 10°	56	0.8%
0° - 20°	491	7.4%
0° - 30°	1305	19.6%
0° - 40°	2388	35.9%
0° - 50°	3593	54.1%
0° - 60°	4754	71.5%
0° - 70°	5718	86.1%
0° - 80°	6362	95.7%
0° - 90°	6645	100.0%
90° - 180°	0	0.0%
0° - 180°	6645	100.0%



PROJECT	TYPE	CATALOG #